

# PAL2



The fixed portable PAL2 pool lift features a sleek, modern design and attractive matte finish. It comes standard with our Secure-It Kit which allows the lift to be fixed to the deck.

- Third-party tested and verified ADA compliant
- Integrated armrests
- State of California compliant
- 300 lb/136kg lifting capacity
- Easy to move by one person
- LiftOperator® Intelligent Controller
- 240° rotation helps ensure safe transfer
- Powder-coated stainless steel and aluminum construction



## LIFT COLOR



GRAY MIST

Due to printing technology actual color may differ.

## PAL2 VARIATION

- Hi/Lo - A variation of the PAL2 useful for facilities that have both in-ground pools and raised spas.

## SECURE-IT KIT



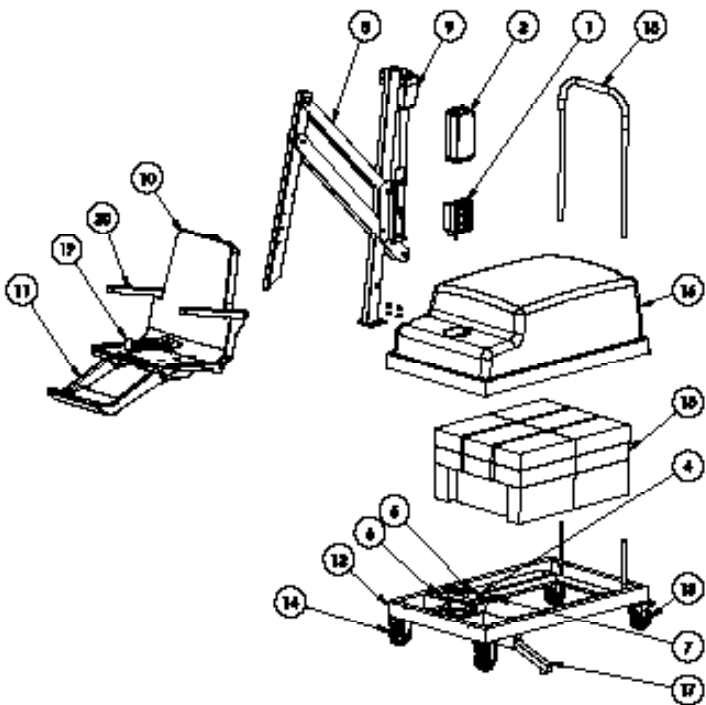
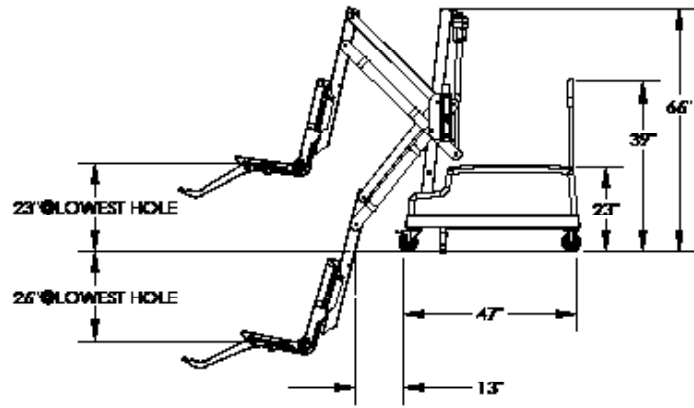
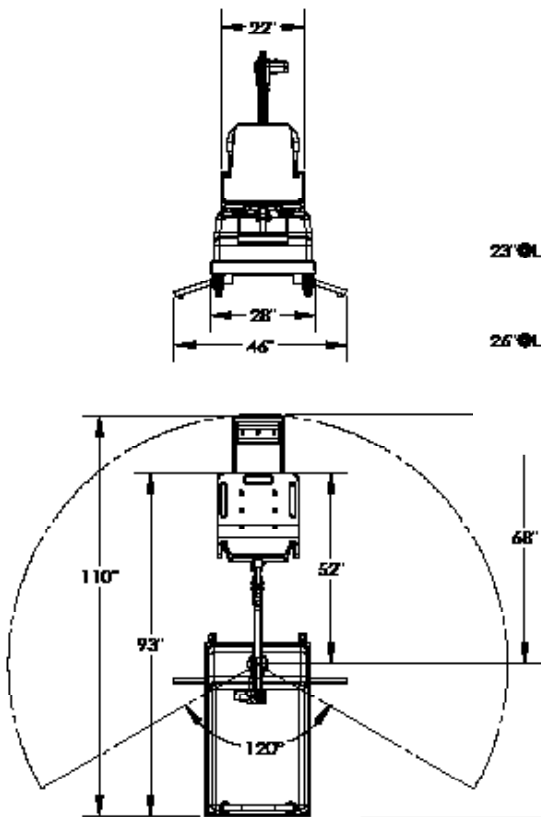
200-1090A

Part No.	Description	Shipping   Class 85			
		Weight	Length	Width	Height
202-0000	PAL2	1,200 lbs	40"	48"	60"
252-0000	PAL2 Hi/Lo	544 kg	102cm	122cm	152cm

Includes battery, charger, battery console cover, water-resistant hand control, footrest, seatbelt assembly, armrests, and Secure-It Kit

## PARTS & ACCESSORIES

- 1001495 Battery
- 900-6000 Stability Strap
- 920-5000T Cover
- 500-1000 Spineboard Attachment
- 200-1090A PAL2 Secure-It Kit (standard)
- 970-5000T Seat Saver Cover
- 900-1000 Seat Belt
- 170-3000A Armrest Replacement (pair)
- 1001600 Hand Control



Key	Part No.	Description
1	400-7000	4 Button Control
2	1001495	Battery Pack
3	1001530	Battery Charger (Not Shown)
4	120-1100	24V Motor
5	800-5065	Small Gear
6	130-1000	Hub Assembly
7	120-1000	Motor Mount Assembly
8	152-1100A	Gray, Mast Assembly
9	100-5000A	LA34 Actuator
10	160-8000A	Gray, Seat Assembly
11	160-2700A	Gray, Foot Rest w/Hardware
12	202-2000	PAL2 Main Frame Assembly
13	200-2000	Rigid Caster
14	200-3000	Swivel Caster
15	220-3100	Concrete Block, PAL2
16	202-6000	PAL2 Housing Assembly
17	200-4100	Stabilizer Assembly
18	202-7000	Gray, PAL2 Handle
19	900-1000	Seat Belt Assembly
20	170-3000A	Gray, Armrest (Pair)
21	910-1000T	Console Cover (not shown)