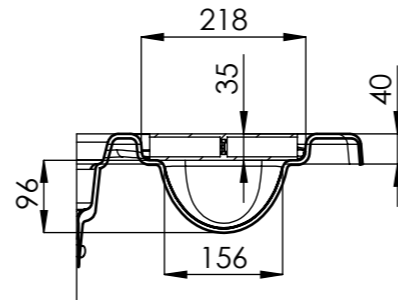
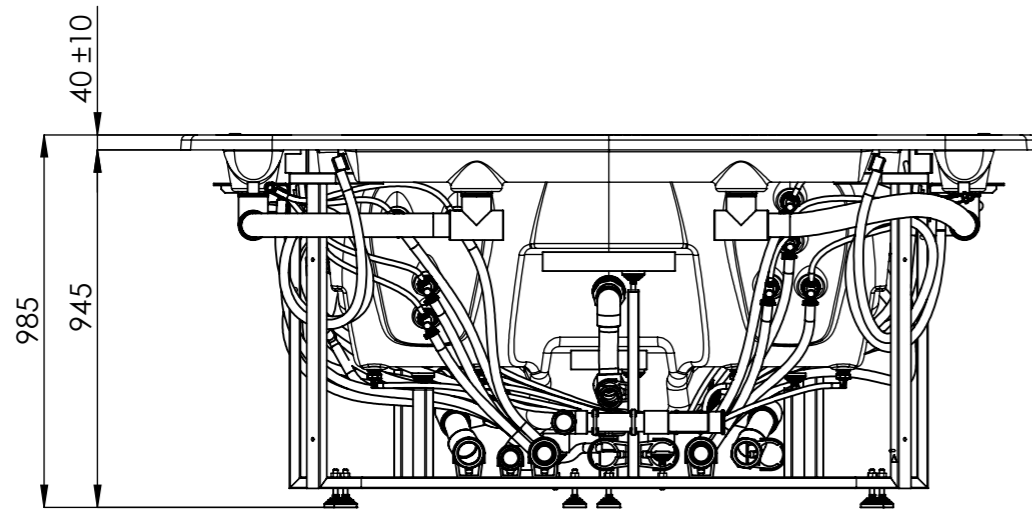
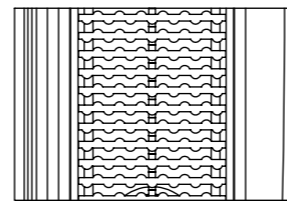
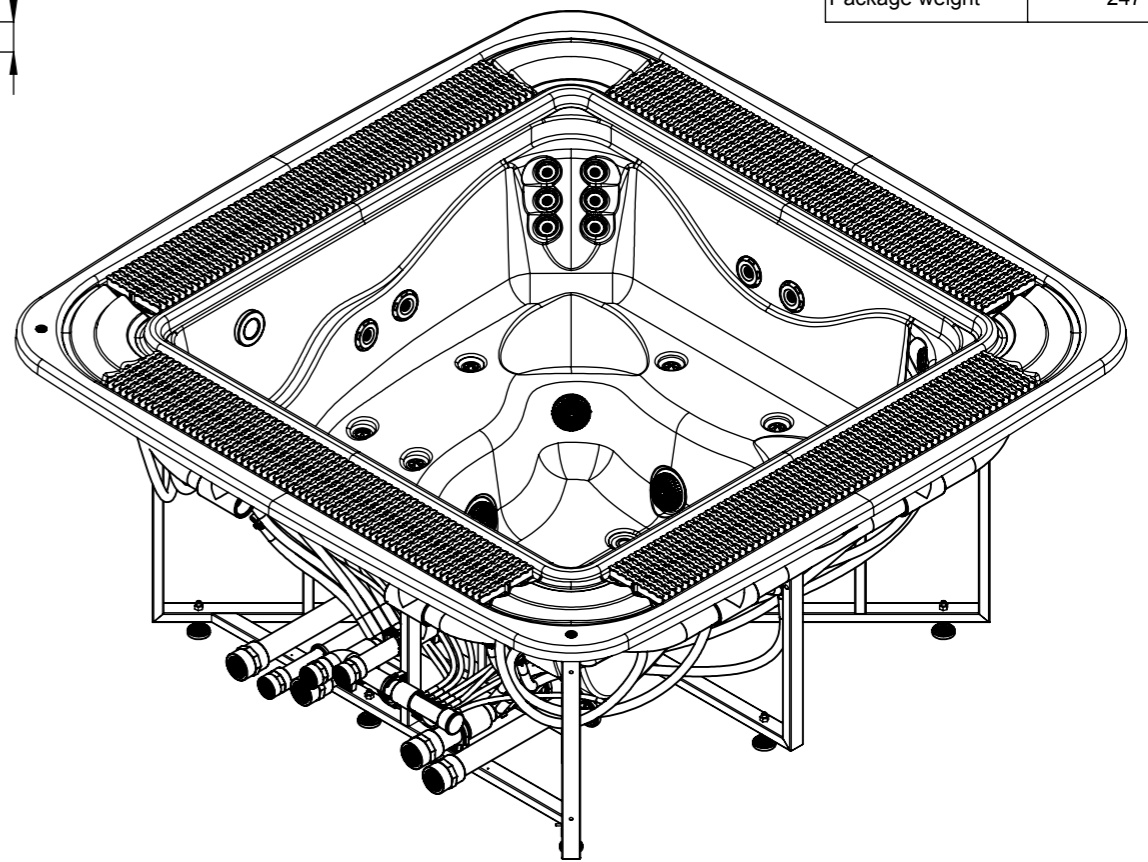


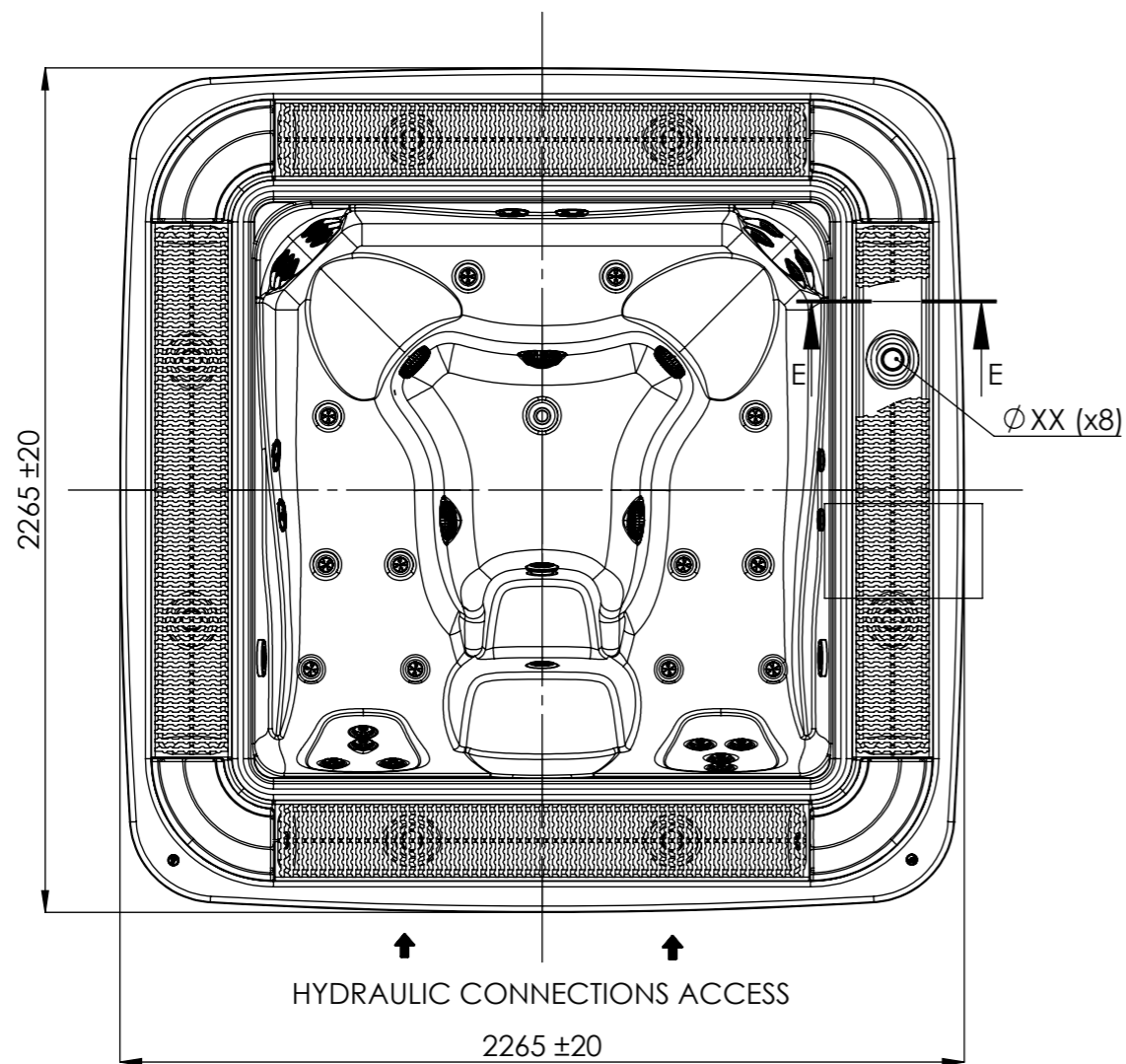
General specifications	
Spa weight (dry)	147 Kg
Spa weight (filled)	1215 Kg
Package dimension	2380x1220x2500mm
Package weight	247 Kg



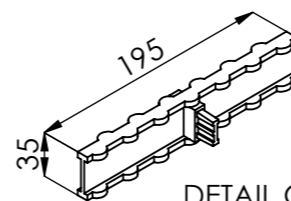
E-E (1 : 10)



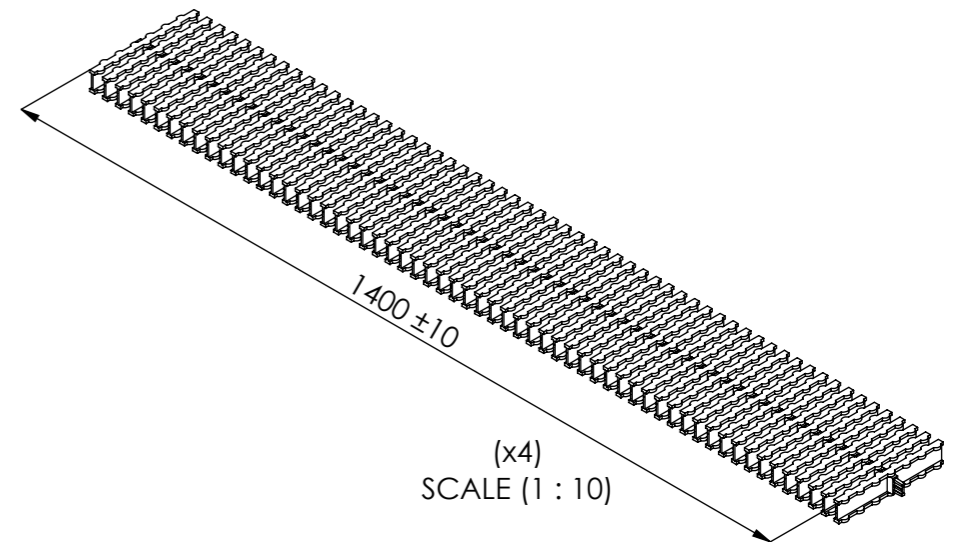
(1 : 10)



Ø XX (x8)



DETAIL GRID SCALE (1 : 5)

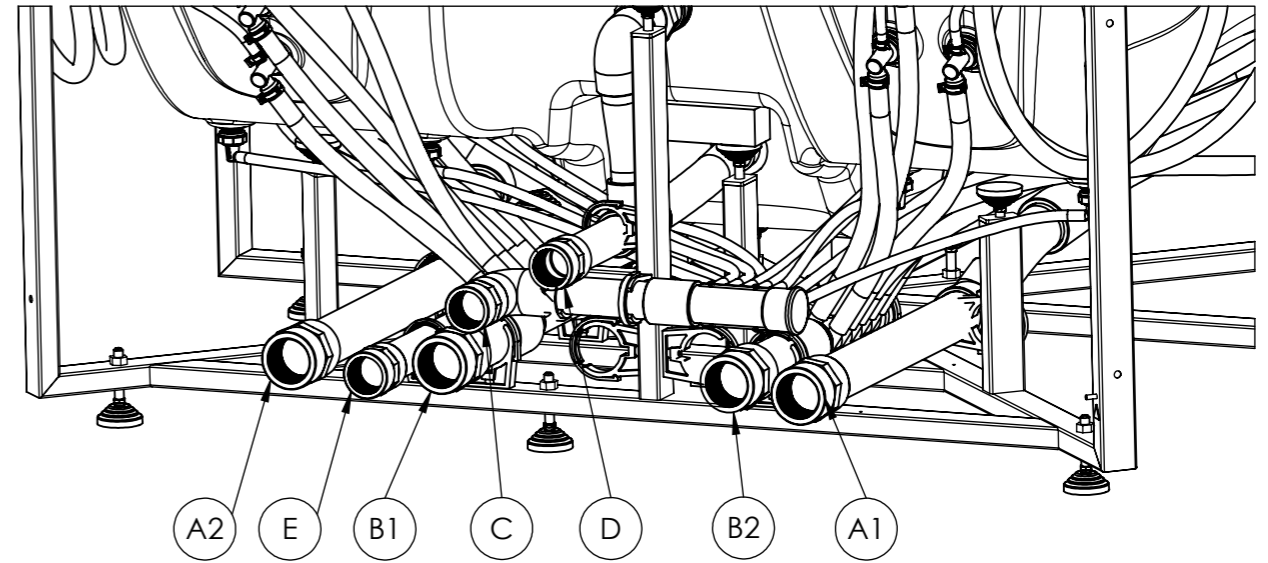
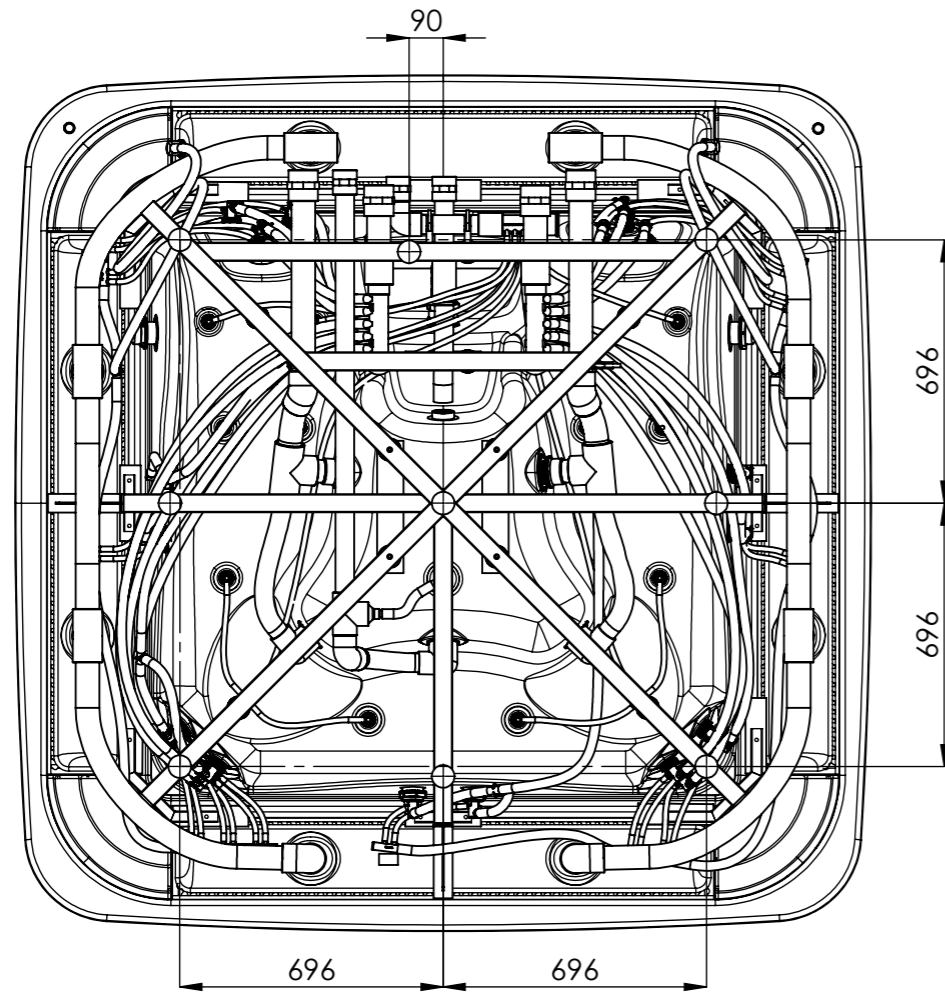


(x4)
SCALE (1 : 10)

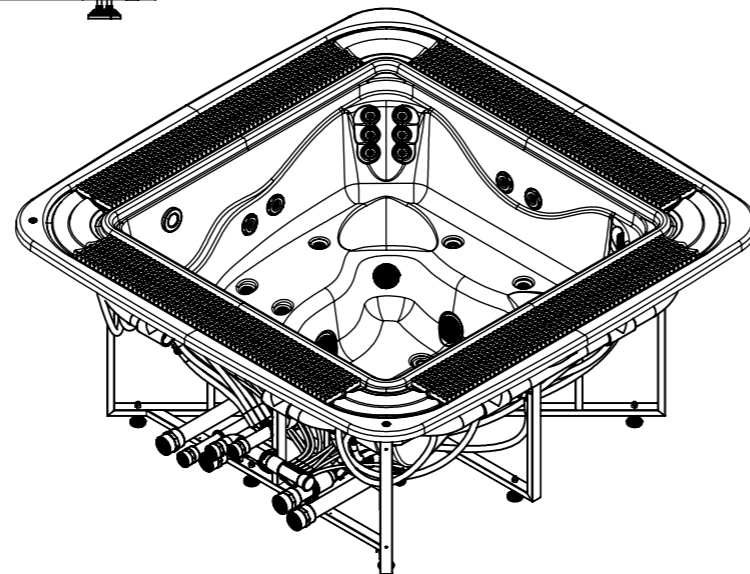
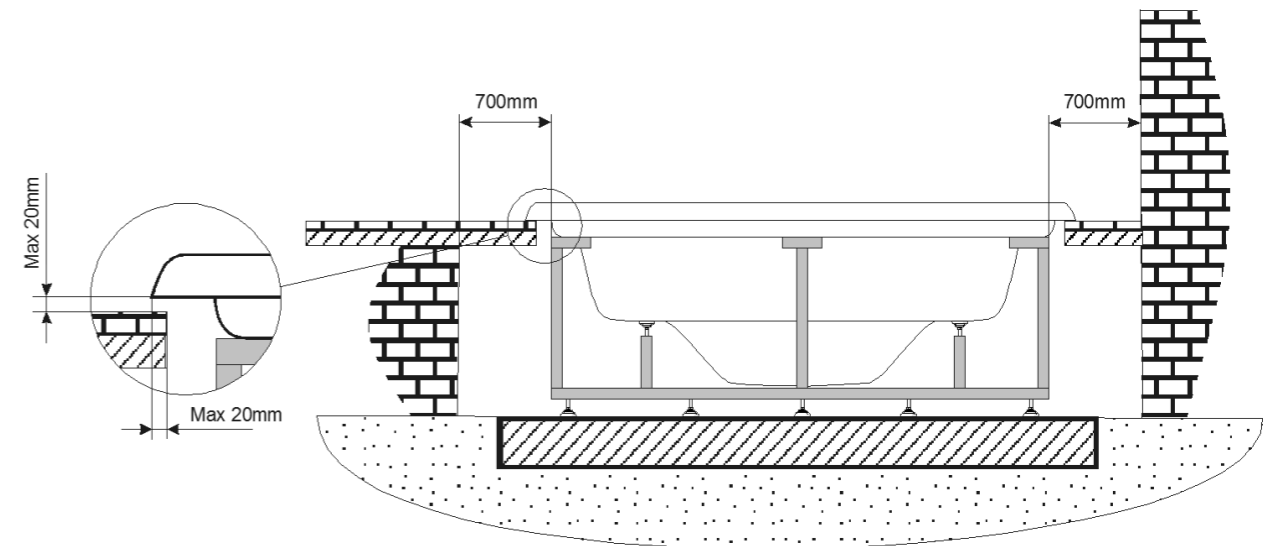
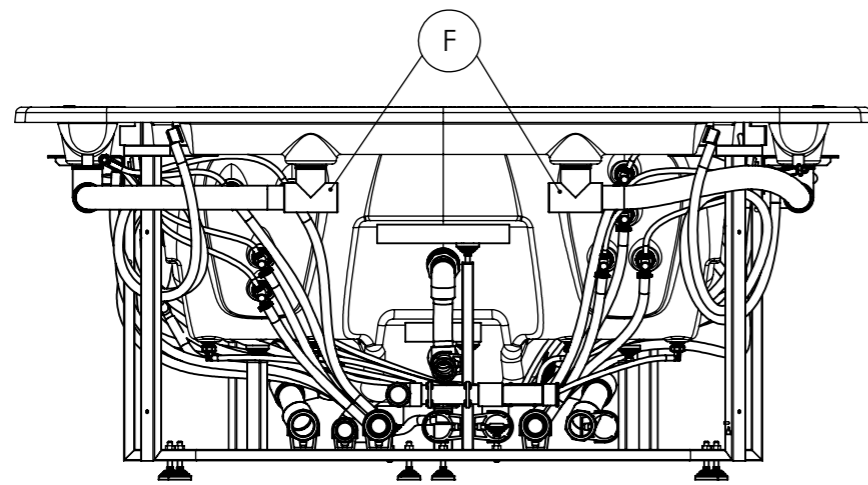
According to our policy of continuous improvement, dimensions, features or components of this product can be partially or completely changed without prior notice. It's Customer responsibility to verify that this is the last version of the drawing

Change No.	Date	Name	Modification					
Remarks Dimensions in mm. General Tolerances +/- 10mm				COMMERCIAL				
Drawn	25/05/2018	A.Miquel	IBERSPA	Part Number	70550	Rev.	00	First Angle Projection
Checked	25/05/2018	V.Saiz						
Scale	1:20			General Tolerance				
Sheet	1/3			DIN 7168 ISO 2768g				

A1	Suction-Water Massage Pump 1	2"BSP FEMALE THREAD
A2	Suction-Water Massage Pump 2	2"BSP FEMALE THREAD
B1	Return-Water Massage Pump 1	2"BSP FEMALE THREAD
B2	Return-Water Massage Pump 2	2"BSP FEMALE THREAD
C	Return-Air Massage	1,5"BSP FEMALE THREAD
D	Return-Filtration Pump Inlets	1,5"BSP FEMALE THREAD
E	Suction/Return-Filtration Pump Bottom Spa	1,5"BSP FEMALE THREAD
F	Overflow Drains (2x)	Ø 63 FEMALE SOLVENT SOCKET

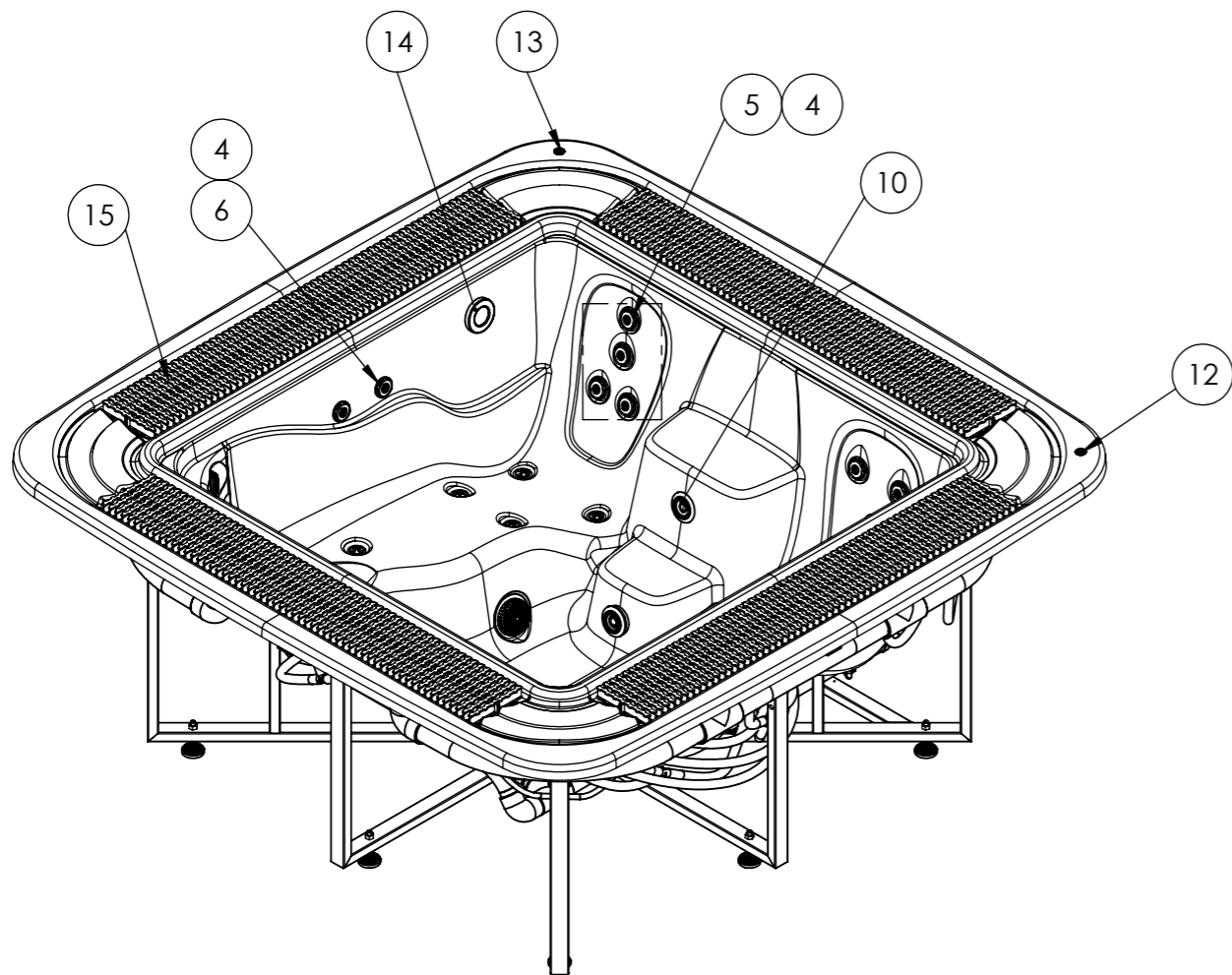
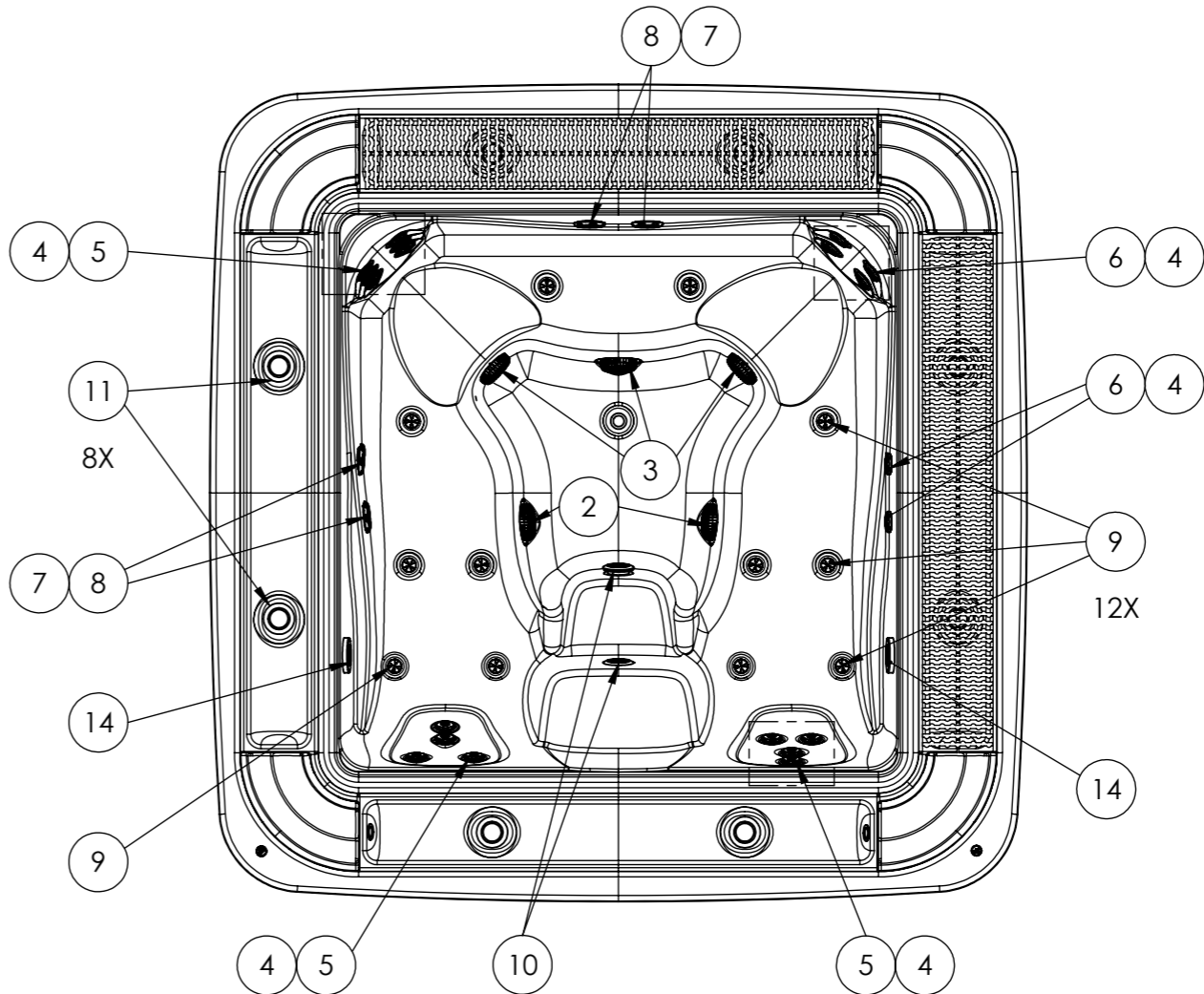
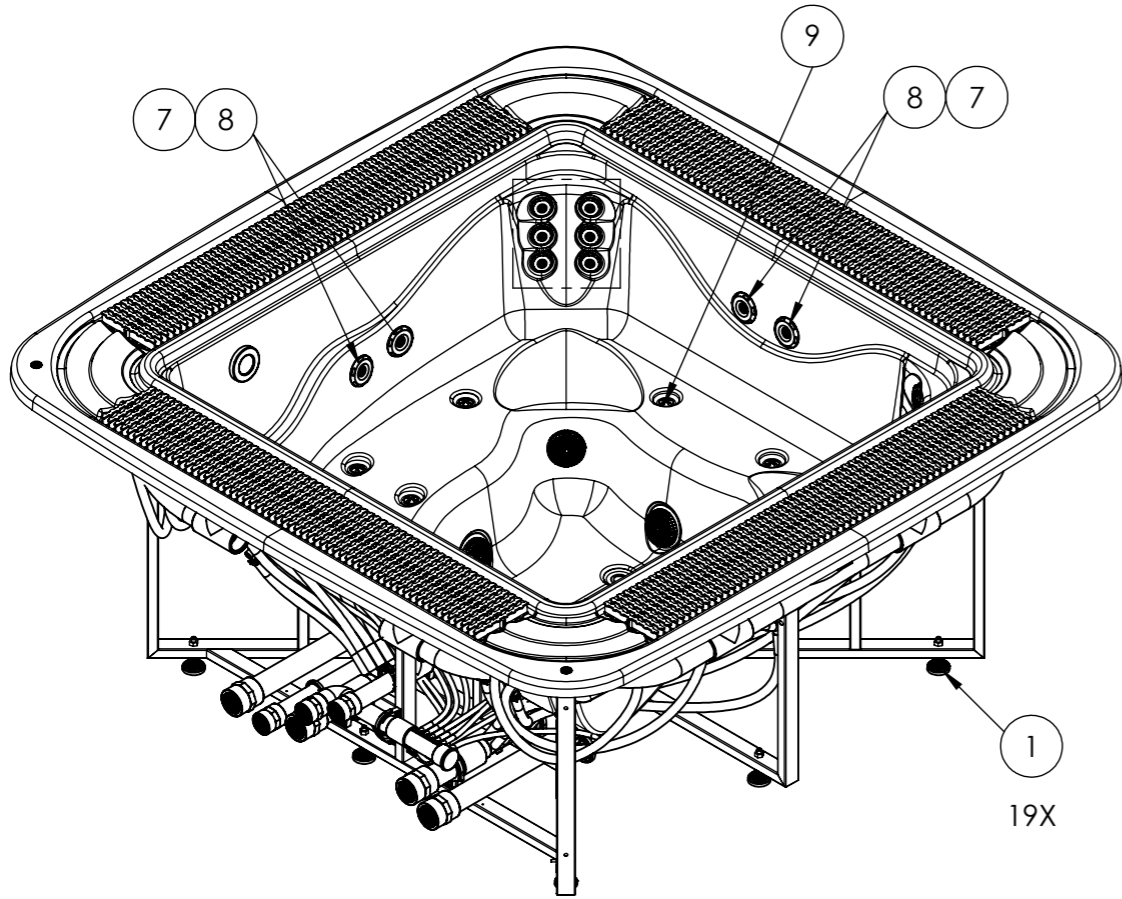


WARNING:
It's essential to keep a minimum clearance access of **700mm** all around.



According to our policy of continuous improvement, dimensions, features or components of this product can be partially or completely changed without prior notice.
It's Customer responsibility to verify that this is the last version of the drawing

Change No.	Date	Name	Modification	COMMERCIAL		
Remarks				Part Number		
Dimensions in mm. General Tolerances +/- 10mm				70550		
Drawn	25/05/2018	A.Miquel				
Checked	25/05/2018	V.Saiz				
Scale 1:20	General Tolerance		Rev.	00	First Angle Projection	
Sheet 2/3	DIN 7168 ISO 2768g					
Property of IBERSPA S.L. Avda. Pla d'Urgell 2-8 25200 Cervera, Spain. Don't use without permission. Keep this information confidential and use it solely for the permitted purpose.						



Position num.	Part N° SPARE	Description SPARE	Quantity
1	303325R	SPA SUPPORT	19
2	RPOR0223	WHITE SPA DRAIN 2" ADAPTOR SOCKET D.50	2
3	RPOR0224	WHITE SPA DRAIN 2" ADAPTOR ELBOW 90 D.50	3
4	RPOR0235	JET BODY SET RD 2"	20
5	REMP0056	JET DIRECTIONAL 2" WHITE	14
6	REMP0057	JET 2" TWIN ROTO WHITE	6
7	RPOR0236	JET BODY SET RD 3"	4
8	REMP0058	FRONTAL JET DIRECCIONAL 3"	4
9	REMP0029	KIT STORM AIR NOZZLE	12
10	REMP0010	PRESSURE NOZZLE	2
11	REMP0055	PRESSURE NOZZLE 63 (GASKET 2 UNITS)	8
12	REMP0034	DIGITAL BUTTON IP68 ALUM. AIR	1
13	REMP0033	DIGITAL BUTTON IP68 ALUM. WATER	1
14	RCOM0063	HIGH INTENSITY COLOURS LED SPOTLIGHTS + STEEL ESCUTCHEON SPOTLIGHT	2
15	REMP0032	DIN CURVED GRATING WIDTH 195 mm	236

According to our policy of continuous improvement, dimensions, features or components of this product can be partially or completely changed without prior notice. It's Customer responsibility to verify that this is the last version of the drawing

Change No.	Date	Name	Modification
Remarks			
Dimensions in mm. General Tolerances +/- 10mm			SPARE DRAWING
Drawn	25/05/2018	A.Miquel	Part Number 70550
Checked	25/05/2018	V.Saiz	
Scale	1:20	General Tolerance	First Angle Projection
Sheet	3/3	DIN 7168 ISO 2768g	
Property of IBERSPA S.L. Avda. Pla d'Urgell 2-8 25200 Cervera, Spain. Don't use without permission. Keep this information confidential and use it solely for the permitted purpose.			