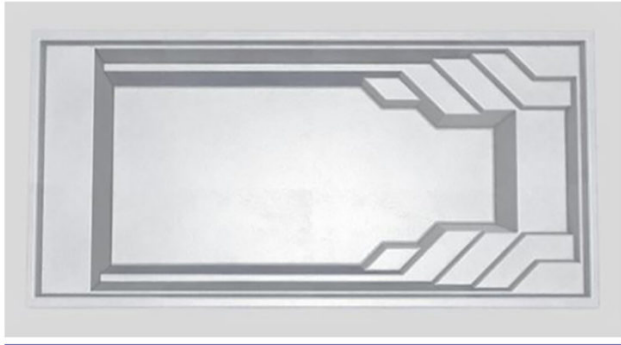
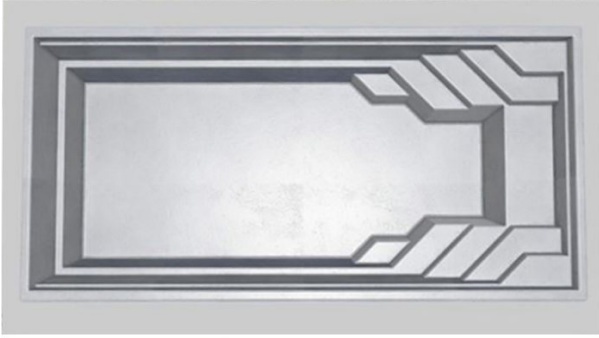


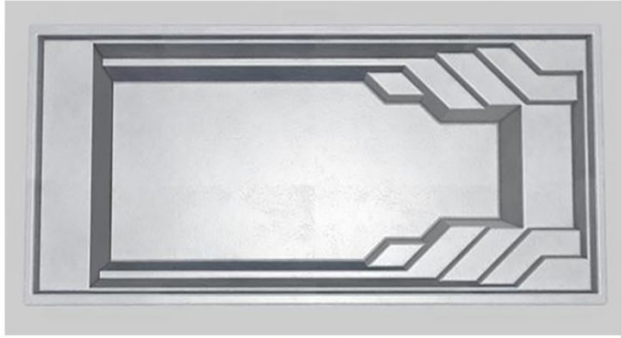
Wanaka 650



Wanaka 650 Pit



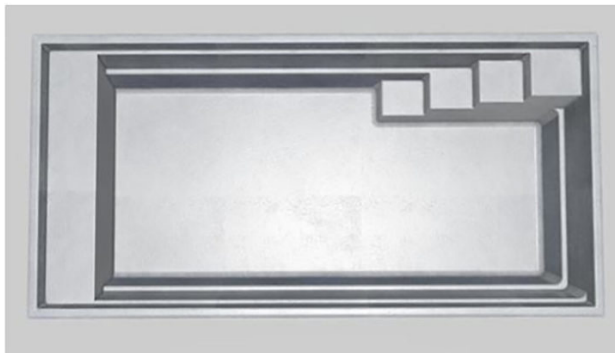
Wanaka 850



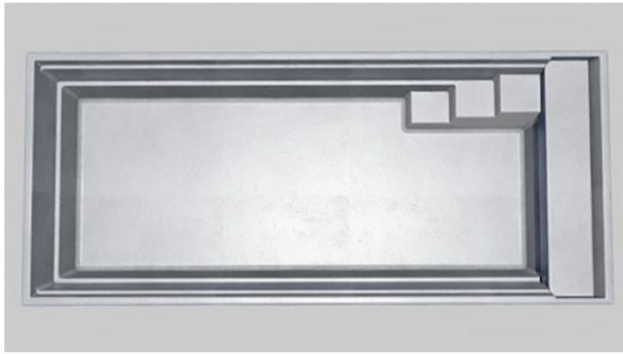
Wanaka 850 Pit



Turano 750

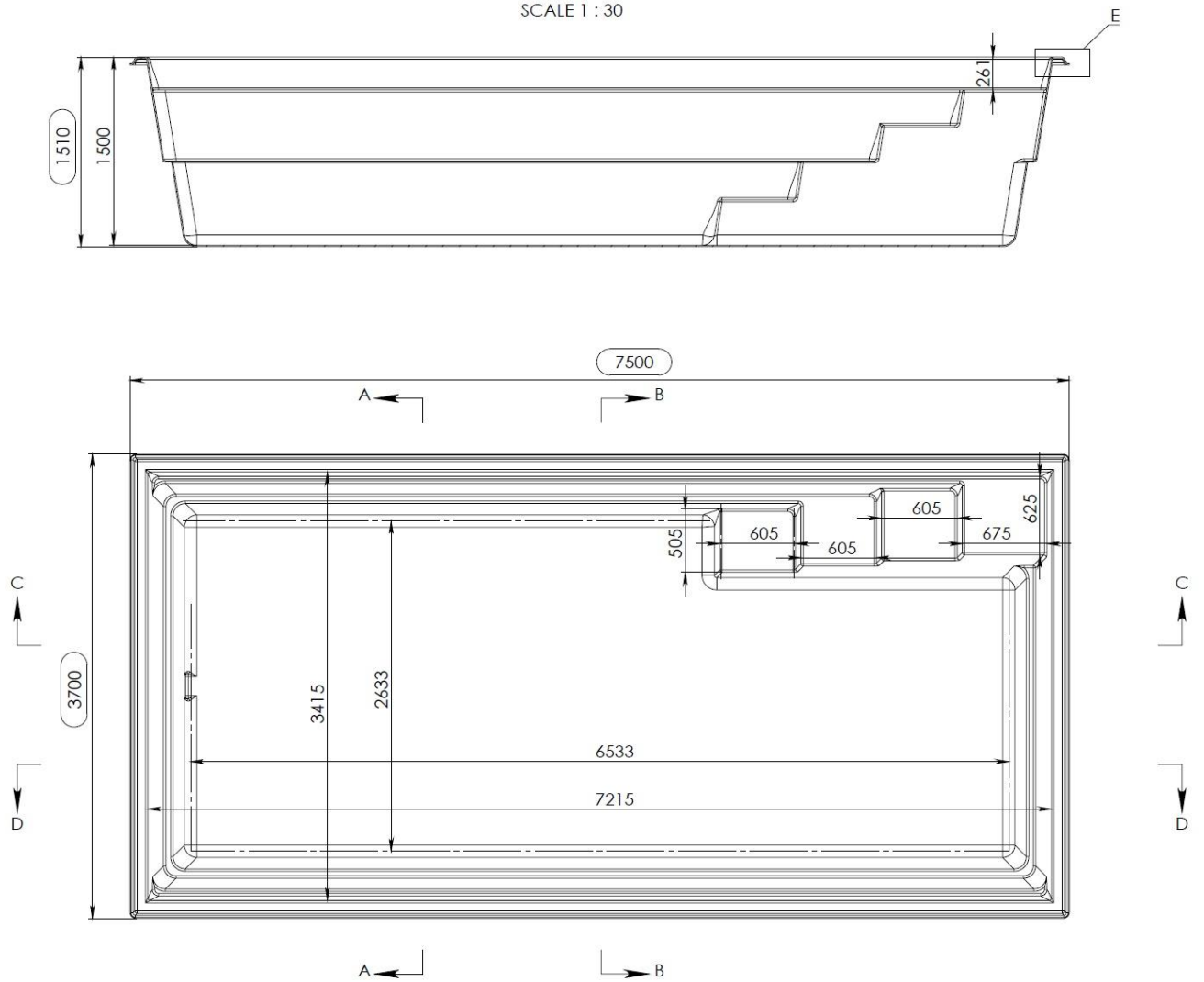


Turano 750 Pit



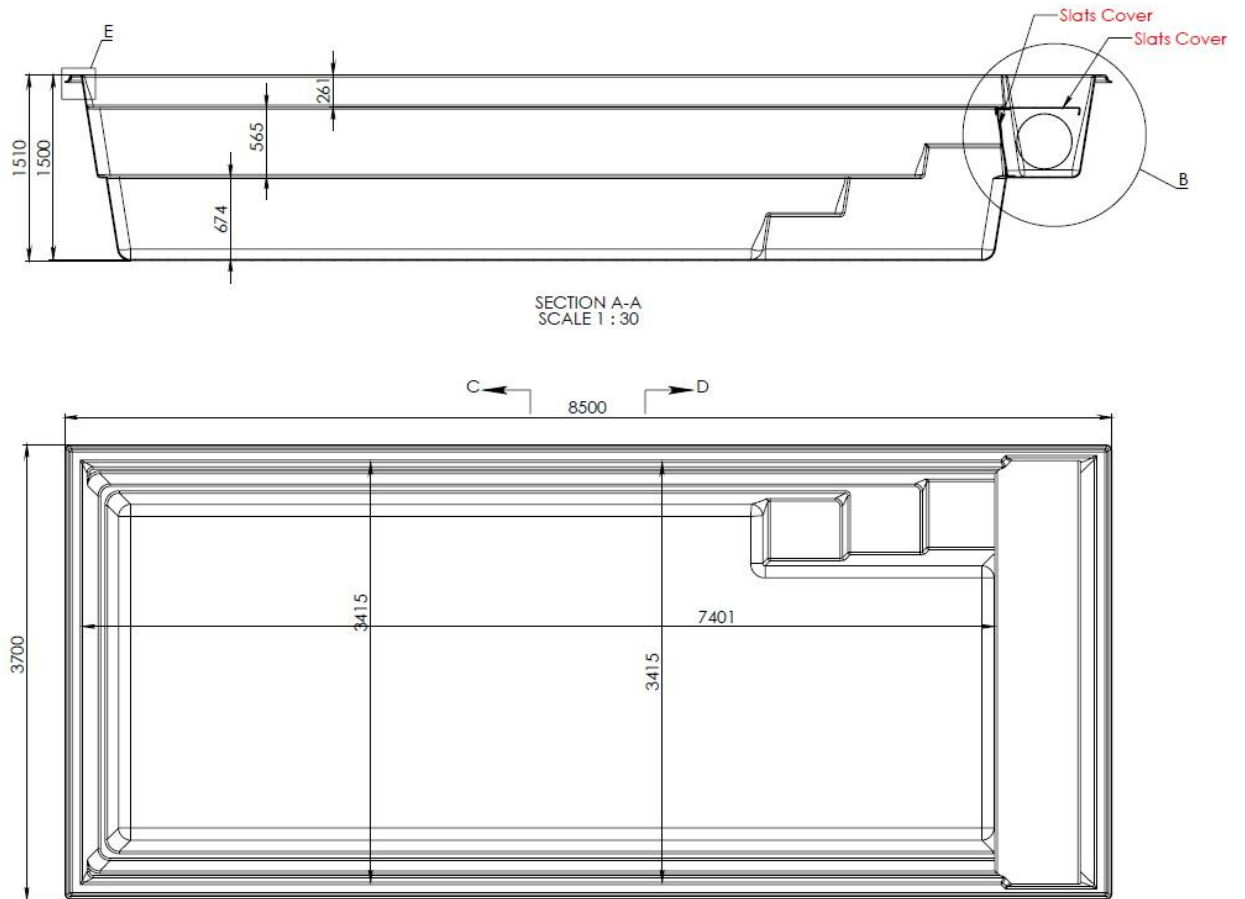
Turano 850 Beach

SECTION C-C
SCALE 1 : 30



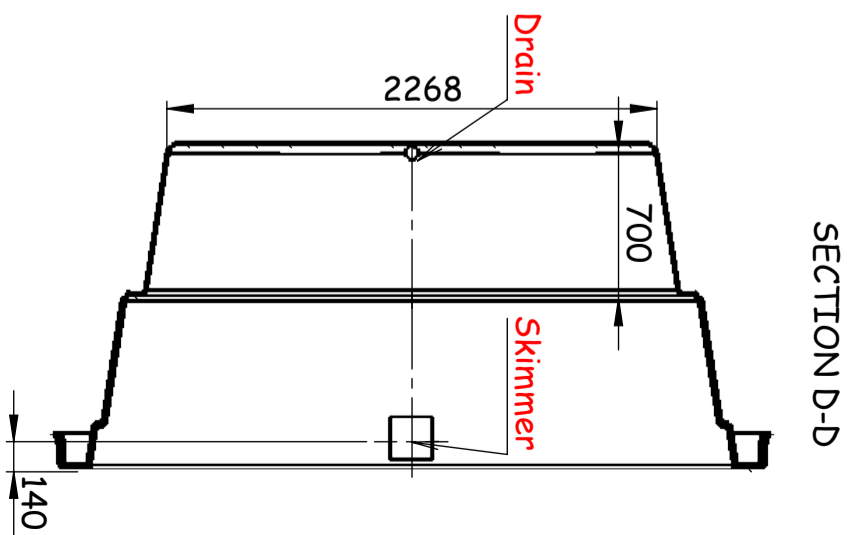
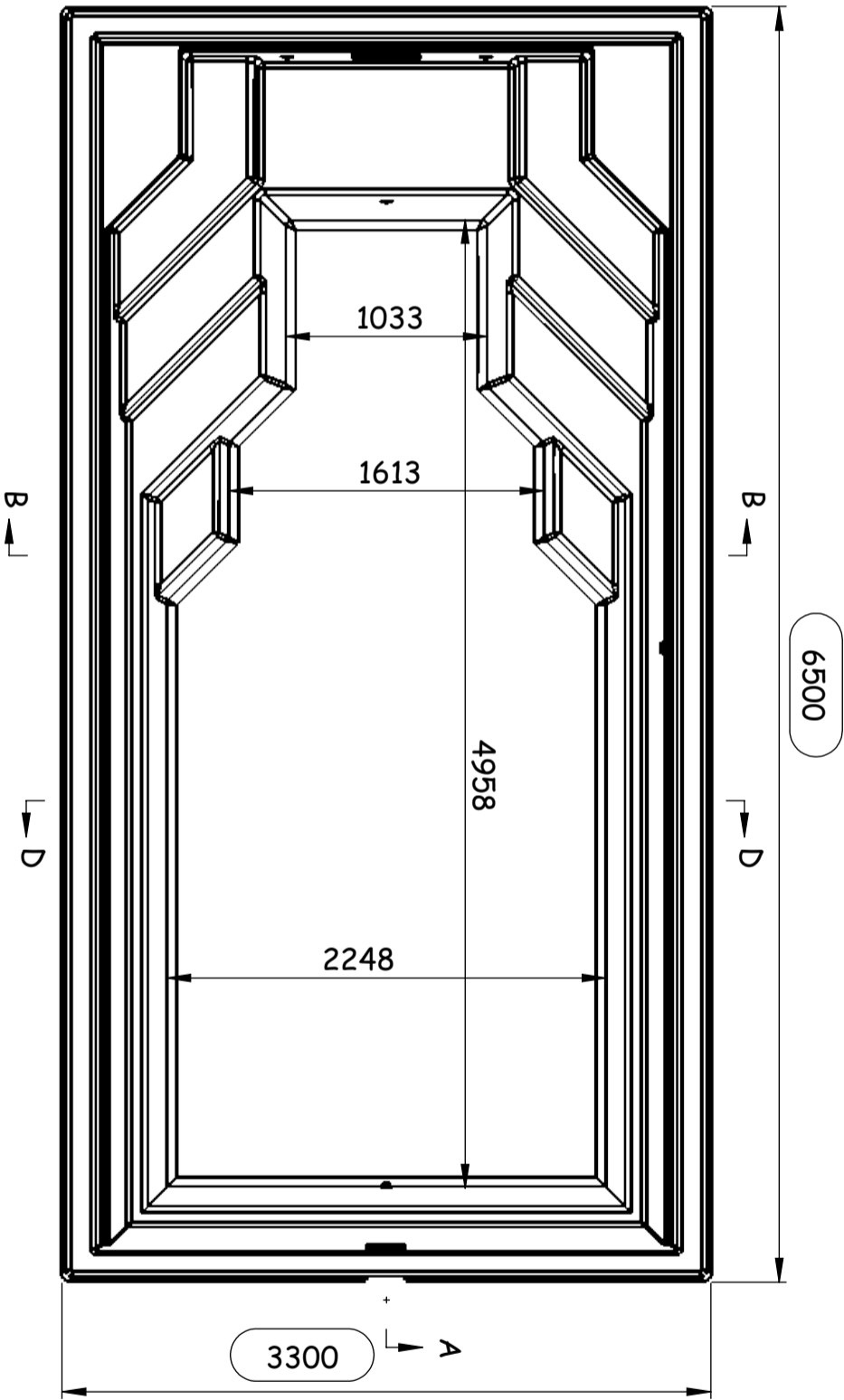
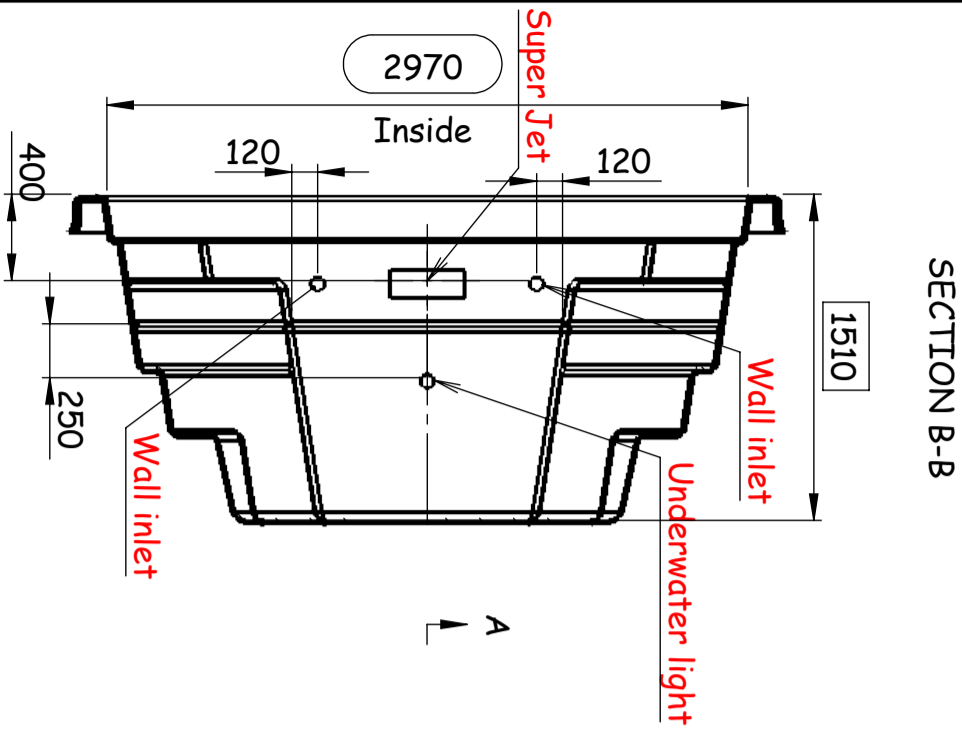
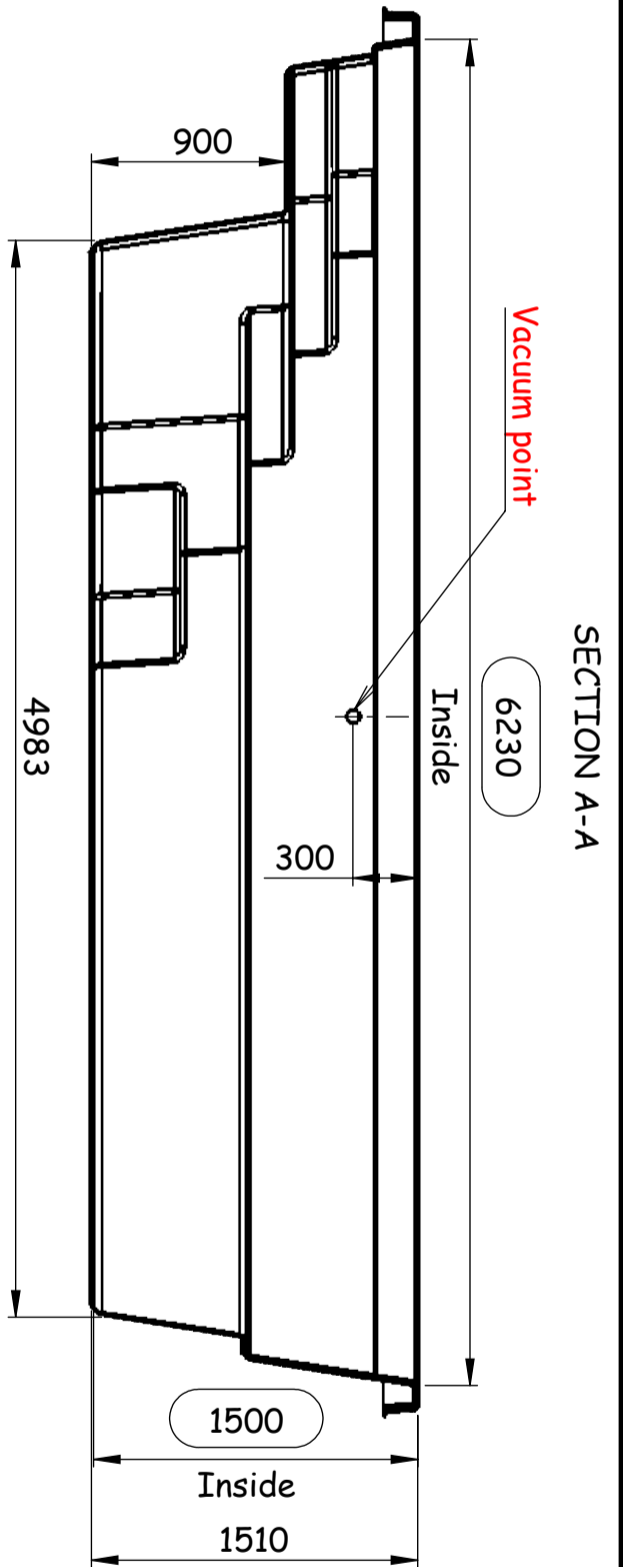
The drawing is a property of ODNA UAB.

Turano 750



The drawing is a property of ODNA UAB.

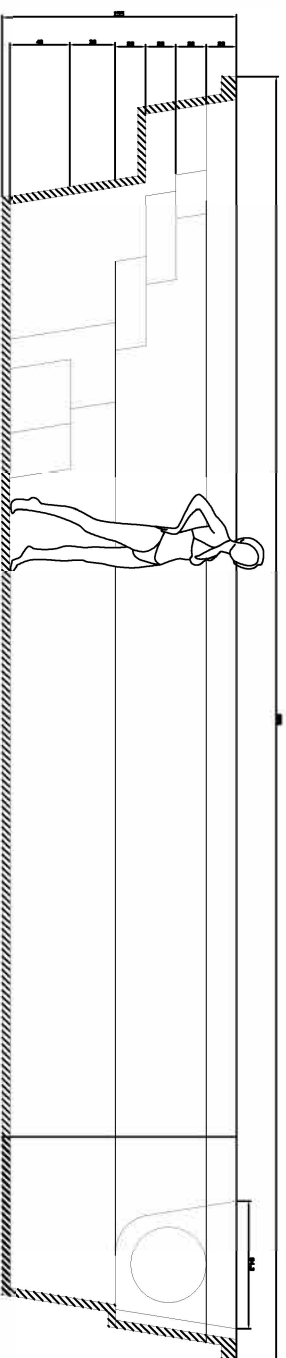
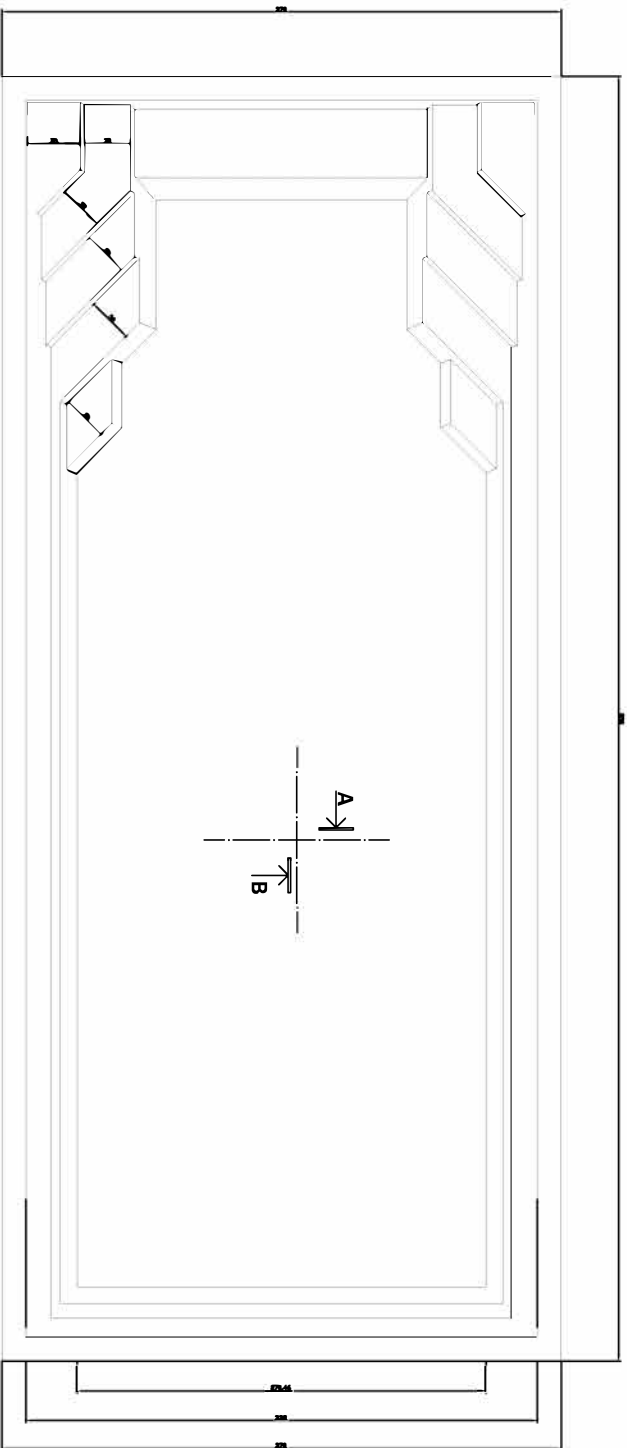
Turano 850 Beach



Material: FIBER GLASS		Description: WANAKA 650	
Finish: Polishe		Drawn by:	
Unless Otherwise Stated: Linear Tol.: ±0.2 Angular Tol.: 0°15' Surface Finish: 0.8µm All Dimensions: mm		Checked/Approved by:	
Drawing Scale: 1:35		Drawn Date: 2021-10-20	
Approx Weight: Kg	Drawing Produced In Accordance With: ISO 9001	Part Number: Wanaka650	Checked/Approved Date:
Projection Method: THIRD ANGLE	Sheet Size: A3	Legal Owner: Luxe pools LUXE POOLS, Vokieticiu str. 24, 01135 Vilnius, Lithuania	Sheet: 1 of 1
Document Type: Manufacturing		Revision:	

This drawing and any information or descriptive material set out on it are the confidential and copyright property of UAB LUXE POOLS. © and MUST NOT BE DISCLOSED, COPIED, LOANED in whole or part or used for any purpose without the written permission of UAB LUXE POOLS.

WANAKA 850



B-B